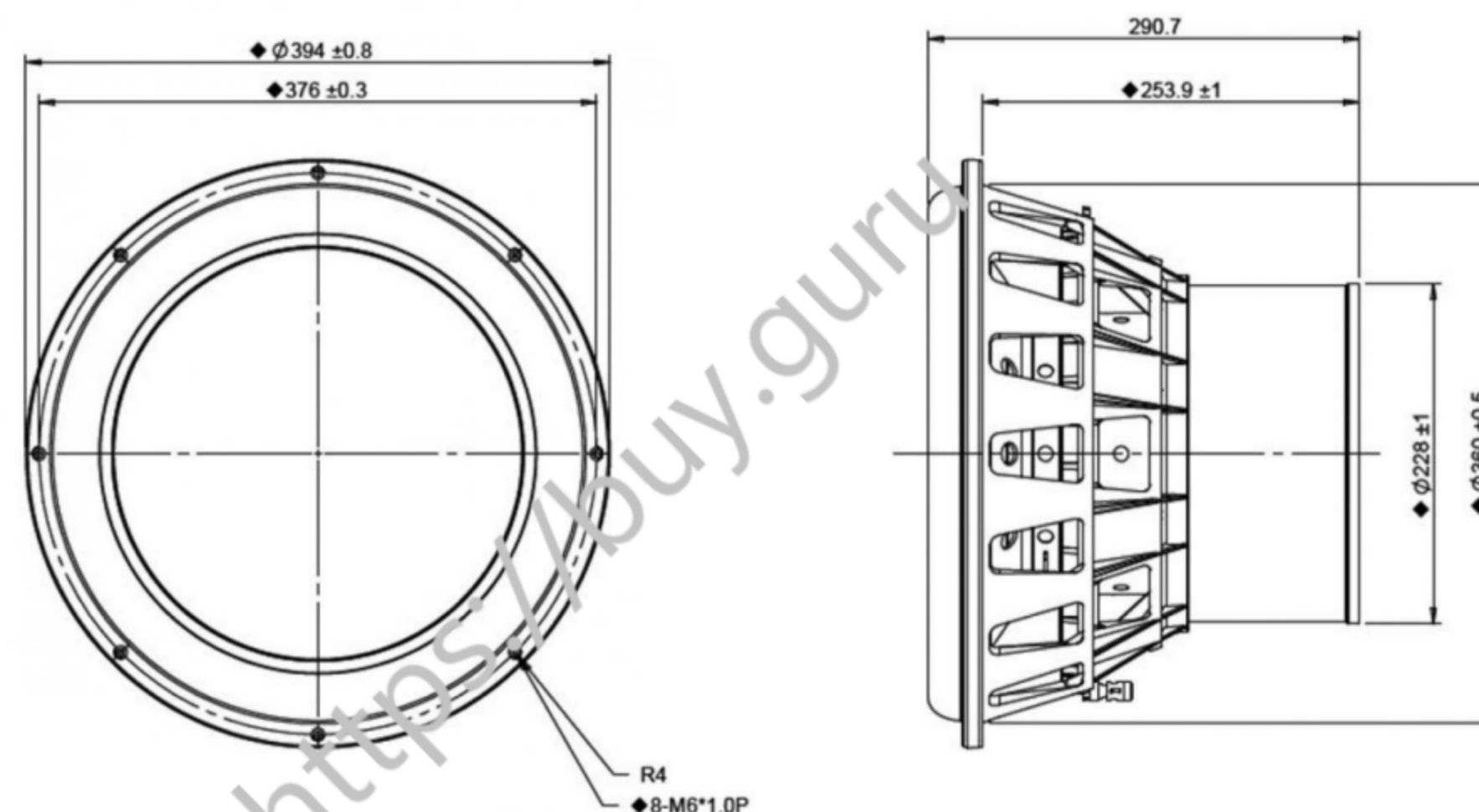


Product Description

XXLS subwoofer, 16 inch, 6 ohm, AL basket, paper cone, ferrite motor.



Mechanical Drawing



Specifications

DC Resistance	Revc	Ohms	4.52	5.0%	Energy Bandwidth Product	EBP	(1/Qes)*fs	
Minimum Impedance	Zmin	Ohms	6.6	7.5%	Moving Mass	Mms	g	431.1
Voice Coil Inductance	Le	mH	2.15		Suspension Compliance	Cms	um/N	48.6
Resonant Frequency	Fs	Hz	34.78	15%	Effective Cone diameter	D	cm	32.66
Mechanical Q Factor	Qms		10.1		Effective Piston Area	Sd	cm^2	836.2
Electrical Q Factor	Qes	0.82			Effective Volume	Vas	L	47.72
Total Q Factor	Qts		0.76		Motor Force Factor	BL	Tm	22.8
Ratio Fs/Qts	F	Fs/Qts	45.94		Motor Efficiency Factor	β	(T*M^2)/Ohms	115
Half Space Sensitivity @2.83V	db@2.83V/1M	dB	87.36	+/- 1.0db	Voice coil former Material	VCfm	TIL	
Half Space Sensitivity @1W/1M	db@1W/1M	dB	86.5	+/- 1.0db	Voice coil inner diameter	VCd	mm	188
Gap Height	Gh	mm	50		Rated Noise Power	P	W	1500
Maximum Linear Excursion	Xmax	mm	9		Test Spectrum Bandwidth		20Hz -250Hz	
Ferrofluid Type	FF				Driver Size	Inch	15 in	
Driver Mass	Kg		27					

Frequency and Impedance Response

